

blurams

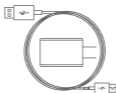
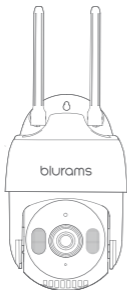
Omni Outdoor Cam - S20C



User Manual

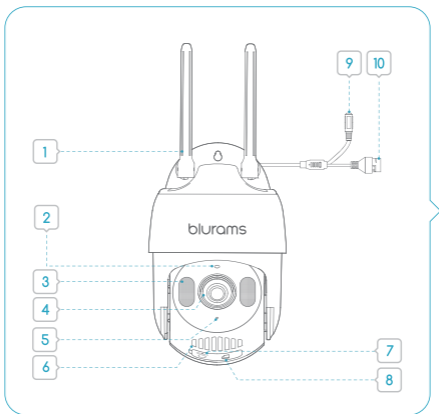
Packing list

- 1 Camera
- 2 USB cable & Power adapter
- 3 Screw accessory pack
- 4 Waterproof case
- 5 Manual



Get to know your camera

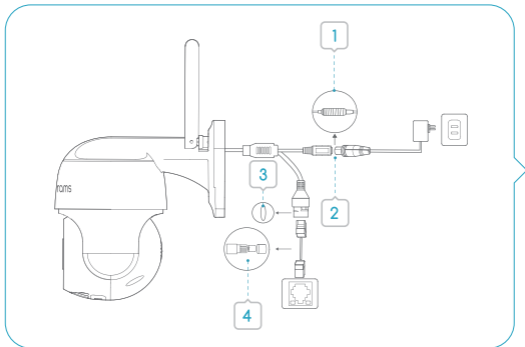
- 1 Antenna
- 2 Indicator light
- 3 Spotlight
- 4 Lens
- 5 Microphone
- 6 Speaker
- 7 Reset button
- 8 TF card slot
- 9 Power port
- 10 LAN port



Plug in your camera

For the normal operation of the camera, please use the provided power cord to charge it. The camera has a power port and a LAN port. Waterproofing must be done on both of these ports.

- 1 Wrapping with the waterproof tape.
- 2 Wrap the power port with waterproofing tape (not included).
- 3 Sealed with the rubber waterproof seal.
- 4 Wrap the LAN port with the waterproofing tape (not included) or the waterproofing case.



Download blurams App

Download the App by searching "blurams" in the App Store or Google Play. Alternatively, you can open a QR scanner App and scan the blurams App QR code below to install the App.



blurams App QR code



Add your camera into App

Enter into the blurams App, sign up for a free blurams account and log in. Go to the home page and Click the "+" icon on the top right corner, select your camera. Please follow the instruction on the App interface to add your camera.



Use of access to the cameras via a web interface

After you have installed the camera on your mobile phone and created an account with blurams there, you can also access the camera via a browser (Chrome, Firefox, Edge).

Please enter the following address in the address line:

<https://client.blurams.com/login>

Enter your registered email address, password and a verification code.

Click on your camera and the live image will appear. At the top right you will find a gear symbol. If you click on it you can change the settings of the camera and see the recordings made.

Customer Service

Kundenservice
Service client

Servizio clienti
Servicio de atención al cliente



+1 (855) 917 4591

(Mon-Fri 08:00 AM - 05:00 PM Pacific Time)



support@blurams.com



Points de collecte sur www.quefairedemesdechets.fr
Privilégiez la réparation ou le don de votre appareil !



EN

- ▶ After finishing the camera setup under the 2.4GHz Wi-Fi connection for the first time, you can try touse an Ethernet cable to get a better and more stable network connection.
- ▶ Do not use the camera in any extreme weather environments such as extremely high, low temperatures, direct strong sunlight, or heavy rain for long periods of time. The suitable temperature for the product and accessories is -20 °C to 60 °C.
- ▶ If you use a third-party charger, the recommended output voltage/current of the adaptor is DC12V/1A, and the adapter should be CE approval type.
- ▶ RF Exposure Information: The Maximum Permissible Exposure (MPE) level has been calculated based on a distance of d=20cm between the device and the human body. To maintain compliance with RF exposure requirements, use products that maintain a 20cm distance between the device and thehuman body.
- ▶ Operating Frequency Range: **2412 MHz ~ 2472 MHz Max Output Power: < 20dBm****This product can be used across EU member states.**

FCC Statement

This equipment has been tested and found to comply with the limits for a Class B digital device, pursuant to part 15 of the FCC rules.

These limits are designed to provide reasonable protection against harmful interference in a residential installation. This equipment generates, uses and can radiate radio frequency energy and, if not installed and used in accordance with the instructions, may cause harmful interference to radio communications.

However, there is no guarantee that interference will not occur in a particular installation. If this equipment does cause harmful interference to radio or television reception, which can be determined by turning the equipment off and on, the user is encouraged to try to correct the interference by one or more of the following measures:

- Reorient or relocate the receiving antenna.

- Increase the separation between the equipment and receiver.

- Connect the equipment into an outlet on a circuit different from that to which the receiver is connected.

- Consult the dealer or an experienced radio/TV technician for help.

To assure continued compliance, any changes or modifications not expressly approved by the party.

Responsible for compliance could void the user's authority to operate this equipment.

(Example- use only shielded interface cables when connecting to computer or peripheral devices).

This equipment complies with Part 15 of the FCC Rules.

Operation is subject to the following two conditions:

(1) This device may not cause harmful interference, and (2) This device must accept any interference received, including interference that may cause undesired operation.

FCC Radiation Exposure Statement:

The equipment complies with FCC Radiation exposure limits set forth for uncontrolled environment. This equipment should be installed and operated with minimum distance 20cm between the radiator and your body.

FCC ID: 2ASAQ-S20

Congratulations!

Your camera is ready to use. Thank you for choosing blurams.



blurams Facebook



blurams Instagram



blurams Community

Contact us to extend the product warranty for another 180 days

✉ support@blurams.com

🌐 www.blurams.com